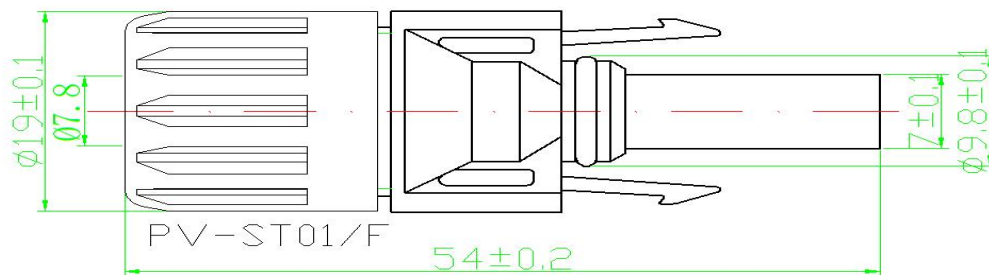
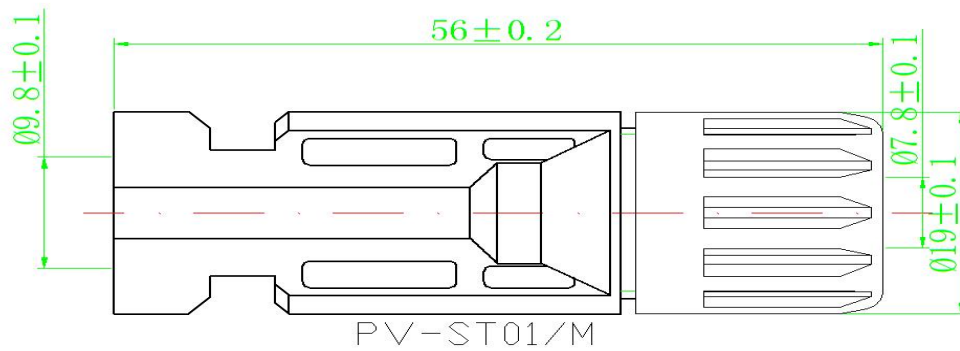


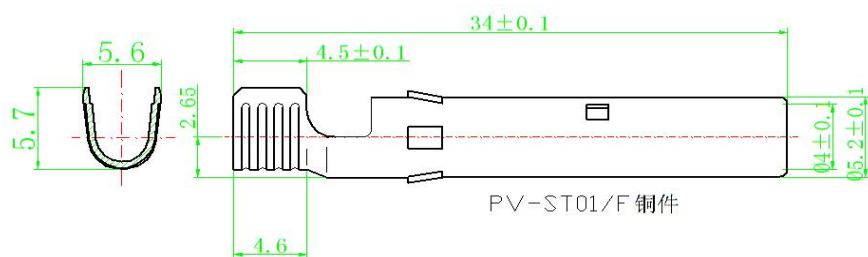
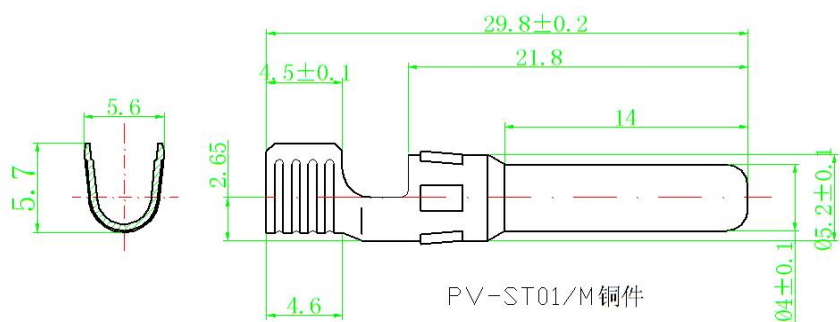
连接器产品资料

PV Connector Specification

型号PV-ST01/M/F

Model: PV-ST01/M/F





PV-ST01 系列连接器技术参数

Technical parameters of PV-ST01

连接器尺寸 (长 X 宽 X 高) Dimensions (H*W*D):	∅ 19mmX56mm (M) ∅ 19mmX54mm (F)	
总重量 (含接线端子) Total weight (terminal block include):	22g	
认证资质标示 Certification Mark	TUV、UL	
预接电缆线直径 The diameter of the connection	14AWG 12AWG 10AWG	
塑壳材质 (RTI) Plug Housing (RTI)	PC (115°C)	
导电端子材质 Receptacle contact material	银铜 Copper/silver plated	
系统电压 Max. system voltage	1500VDC	
额定脉冲电压 Rated impulse voltage	16000VAC	
额定绝缘电压 Rated insulation voltage	8000VDC	
额定电流 Rated current	22A(14AWG)	30A(12AWG)
	30A(10AWG)	
电缆接头旋开扭矩 (下线检测读数) Torque	≥1.2N.m	
静态电阻 (含正负极接头、90mm 电缆线两根、接线端子两支) Static resistance	≤5mΩ	
带电导体耐电压 voltage withstand	1.8KV/1mA/1min	
湿漏电流 leakage current	< 10 uA	
保护等级 waterproof grade	IP68	
使用温度范围 Temperature range	-40°C ~ 85°C	
阻燃等级 Flame retardance	UL94-VO	

耐候性 weather-resistance	耐紫外线辐照、湿热测试，无严重外观缺陷 no serious appearance defects after Ultraviolet irradiation and humid heat test
4mm ² 电缆线接头铆紧后拔开力 Drawing force after connect with 4mm ² cable line	≥310N
连接器对接时插入力 Thrusting force	35N < F < 60N
连接器对接后拔开力（自锁状态） Drawing force (auto locking status)	≥120N
连接器正负极接触电阻 Contact resistance	<0.35mΩ