
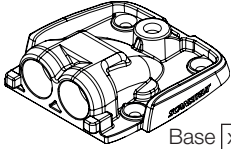
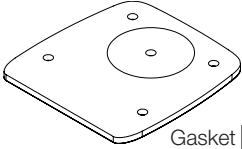

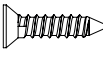




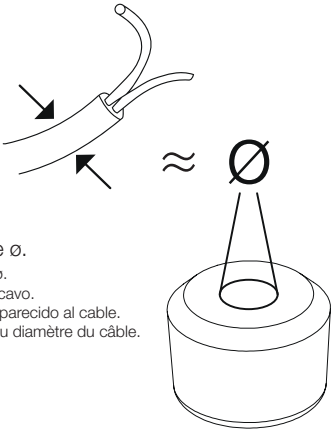


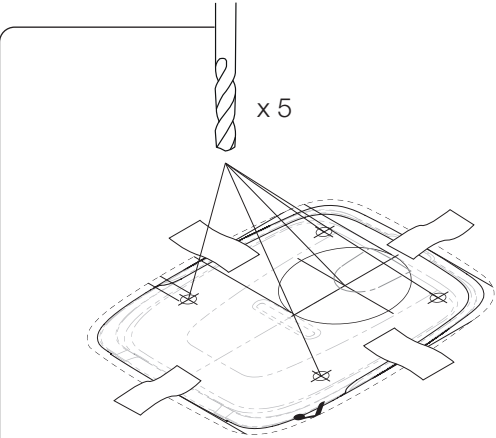
Parts List		
		
Shell x1	Base x1	Gasket x1
	M5X10 Bolt - (Black) x1	2x Blank
	No. 6 X16 Self tapping screw x4	2x 5mm
		2x 6mm
		Bungs x6

Tools Required	
	Pozi Screwdriver
	Silicone
	ø2.5mm (3/32") ø3mm (1/8") Drill Bit
	ø25mm (1") Hole Saw/Drill Bit

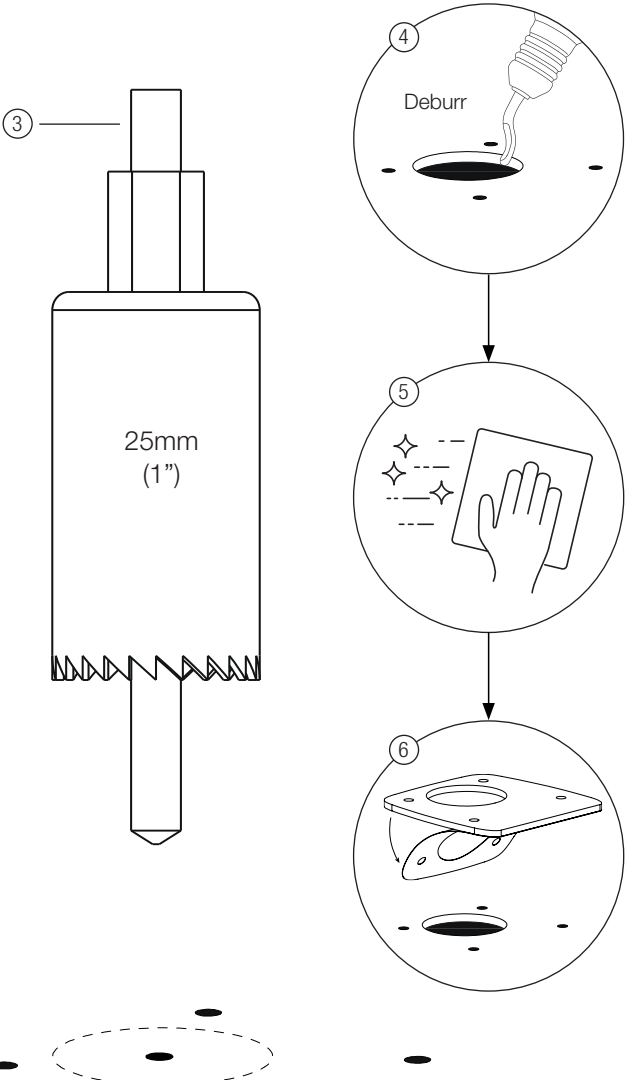


① Choose bung closest to cable ø.
 DE - Wähle Dichtung nahe dem Kabel ø.
 IT - Scegliere il passafili adatto al ø del cavo.
 ES - Elija el tapón con el diámetro más parecido al cable.
 FR - Choisissez le joint le plus proche du diamètre du câble.

②



Material	Drill	Fixing
Soft Material e.g. plywood	2.5mm (3/32")	No.6 Screw (Included)
Hard Material e.g. fiberglass, hardwoods, acrylics	3mm (1/8")	
Metal e.g. Steel, aluminium	3mm (1/8")	<u>Recommended</u> >12mm x M3 Countersunk Bolt with washer and Nyloc (Not included)



③ 25mm (1")

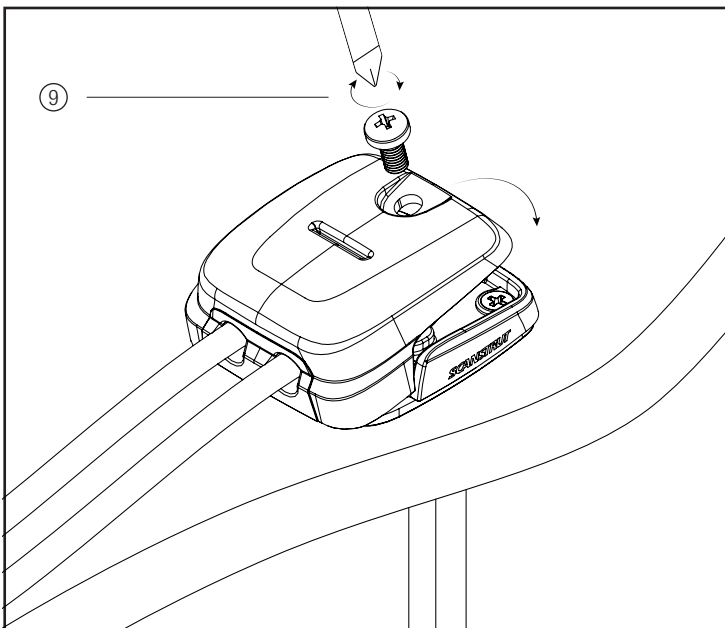
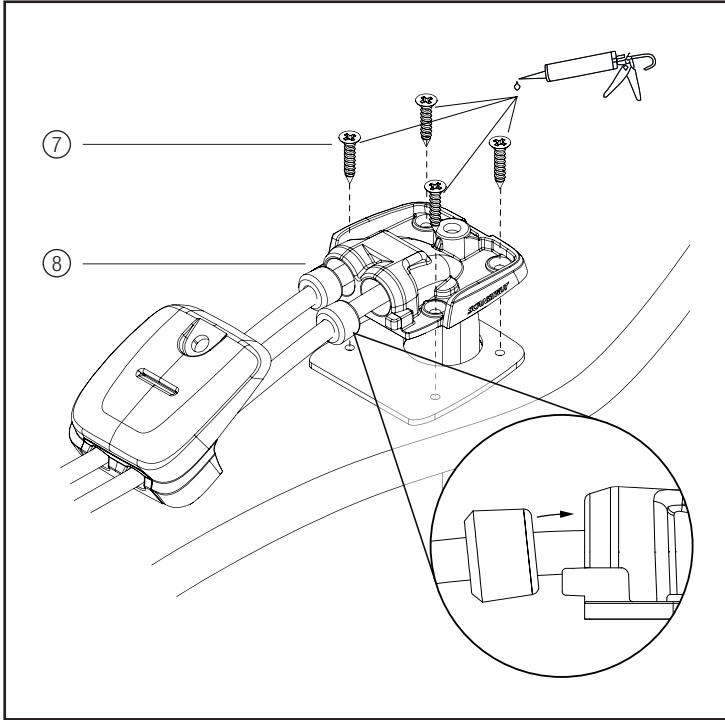
④ Deburr

⑤

⑥

UK & International +44 (0)1392531280 sales@scanstrut.com
 For further installation and warranty information please visit: www.scanstrut.com
 USA +1 860 308 1416 usasales@scanstrut.com





Cutting Template

Warning Check Scale
50 mm
2"

Print document 1:1 Scale
for correct cutting template size.

Share your installation with us.



UK & International
+44 (0)1392531280
sales@scanstrut.com

For further installation
and warranty information
please visit:
www.scanstrut.com

USA
+1 860 308 1416
usasales@scanstrut.com

