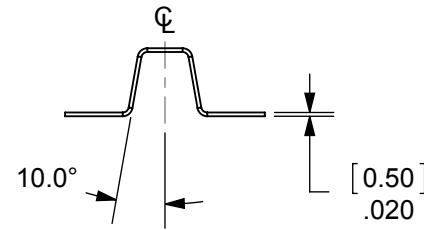
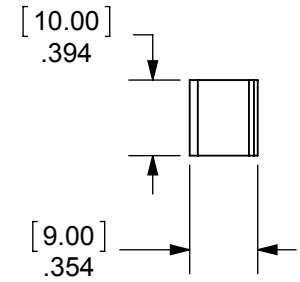
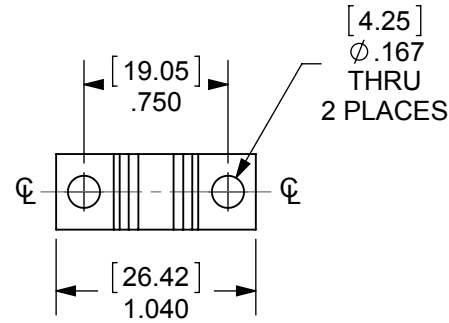
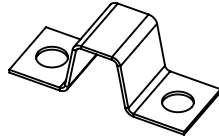


THIS DRAWING AND THE INFORMATION CONTAINED WITHIN IT ARE CONFIDENTIAL AND MAY NOT BE COPIED OR DISCLOSED WITHOUT THE WRITTEN PERMISSION OF BLUE SEA SYSTEMS.

REVISIONS

ZONE	REV.	DESCRIPTION	DATE	APPROVED
	1	INITIAL RELEASE OF DRAWING	2015.2.11	S. SCHANKEN



DIMENSIONS ARE SHOWN IN INCHES AND [MILLIMETERS]. UNSPECIFIED TOLERANCES ARE:		NAME	DATE
ANGLES	INCH	MM	
±0°30'	.0000±.002	.000±.051	
	.000±.005	.00±.127	
	.00±.010	.0±.254	
MATERIAL	COPPER	COMMENTS:	
FINISH	TIN	-	
DO NOT SCALE DRAWING			



425 Sequoia Drive Bellingham, WA 98226
 Phone (360)738-8230 Fax (360)734-4195

Jumper ST-CLB Blocks

Part Number 5049

SIZE	DWG. NO.	REV.
A	5049	1
SCALE 1:1	WEIGHT:	SHEET 1 OF 1

THIRD ANGLE PROJECTION

