

4

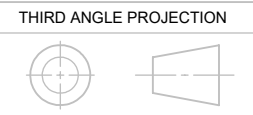
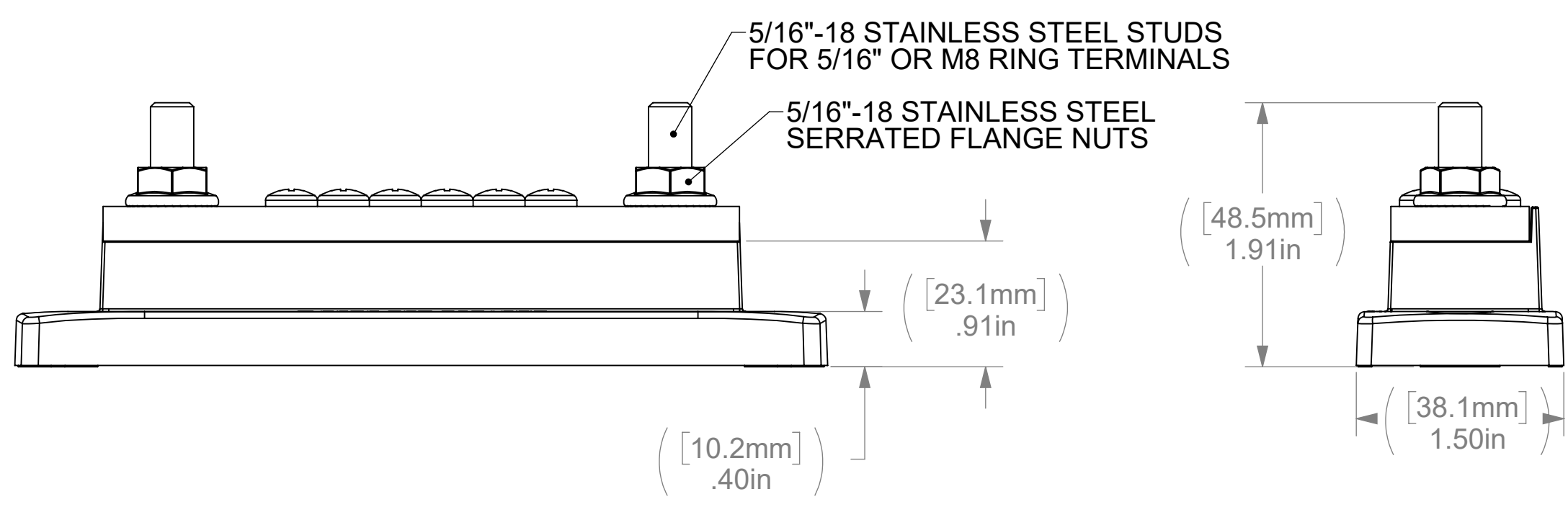
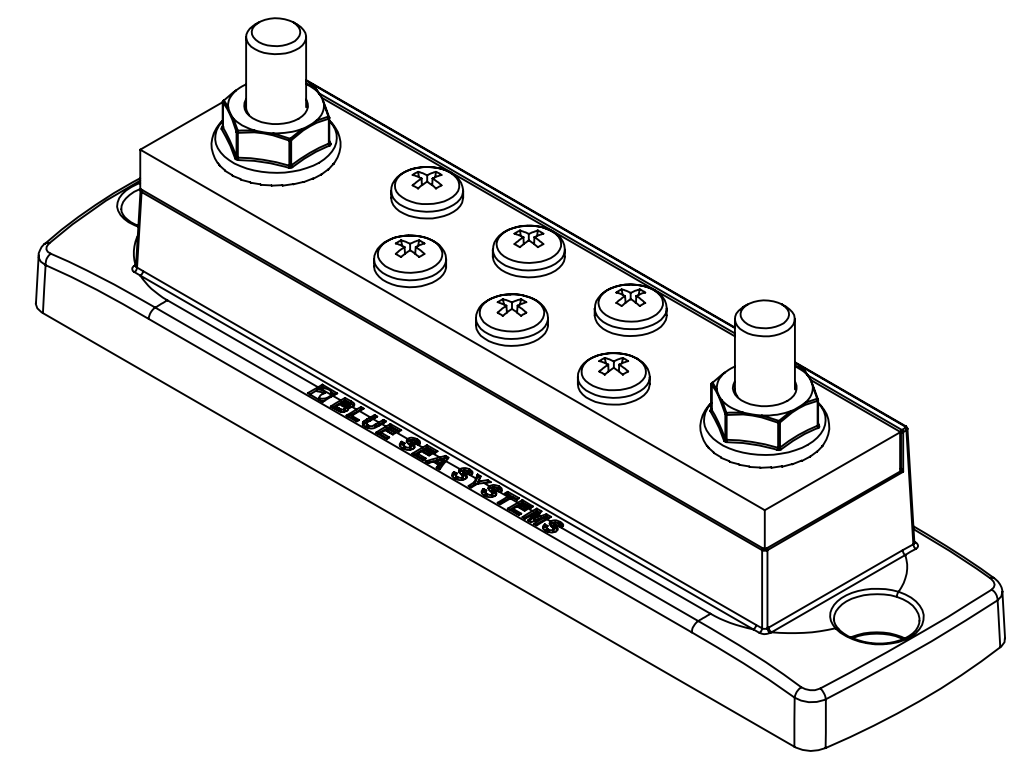
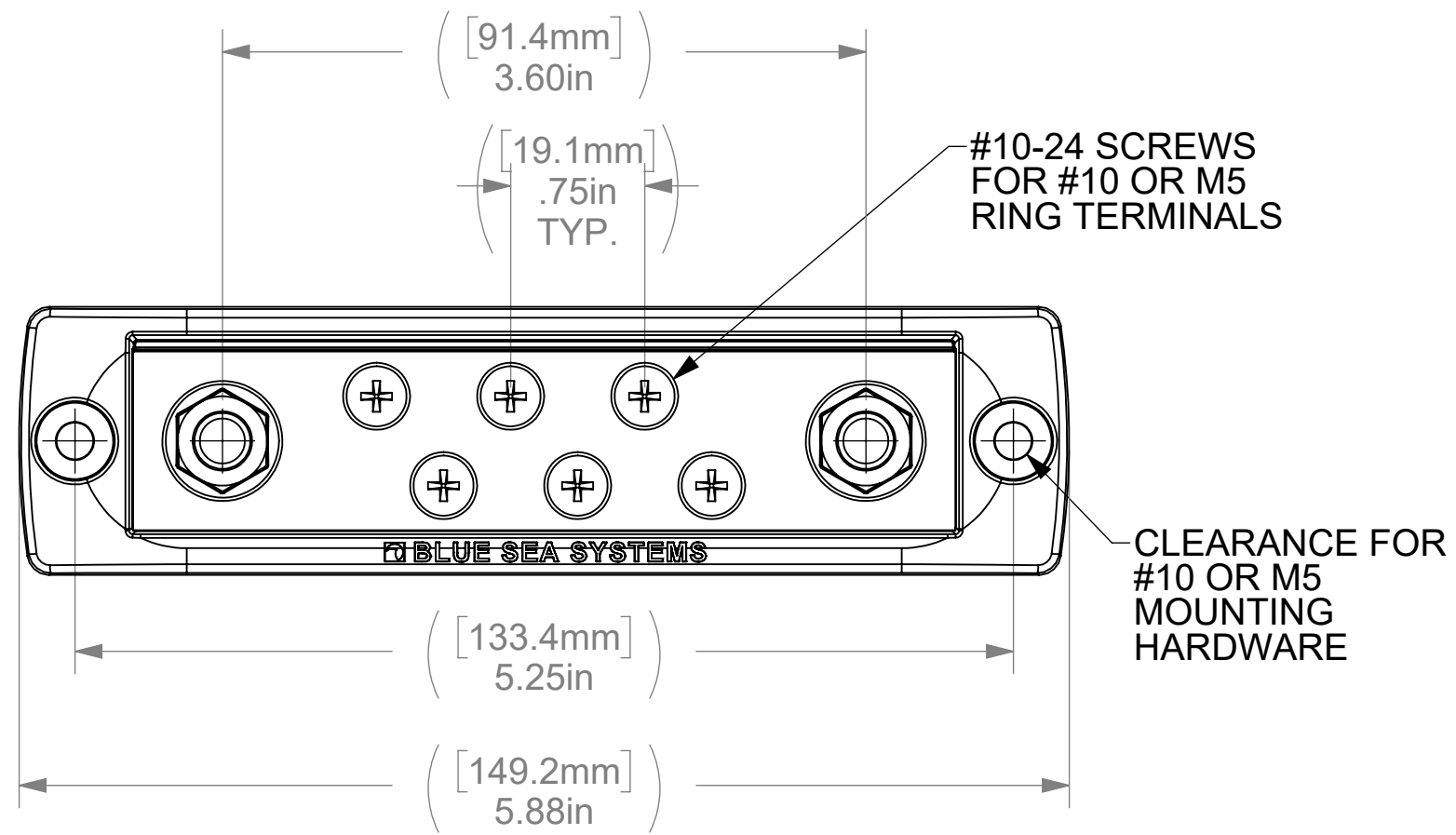
3

2

1

THIS DRAWING AND THE INFORMATION CONTAINED WITHIN IT ARE CONFIDENTIAL AND MAY NOT BE COPIED OR DISCLOSED WITHOUT THE WRITTEN PERMISSION OF BLUE SEA SYSTEMS.

REVISIONS				
ZONE	REV.	DESCRIPTION	DATE	APPROVED
	1	PRODUCTION RELEASE	2012.3.27	S. SCHANKEN
	3	UPDATED TO SHOW SERRATED FLANGE NUTS	2015.8.31	S. SCHANKEN
	3	REMOVE TOLERANCE BLOCK, REFERENCE DIMENSIONS, CUSTOMER DRAWING	2023.04.13	T.DYKAS



NAME	DATE
DRAWN T. DYKAS	2011.5.28
CHECKED J. RAU	2015.8.31
-	-
-	-
-	-



CUSTOMER DRAWING
 MAXibus 6x10-24 x 5/16 Stud Common
 Part Number 2128

SIZE C	DWG. NO. 2128	REV. 3
SCALE 1:1	WEIGHT: --	SHEET 1 OF 1

4

3

2

1